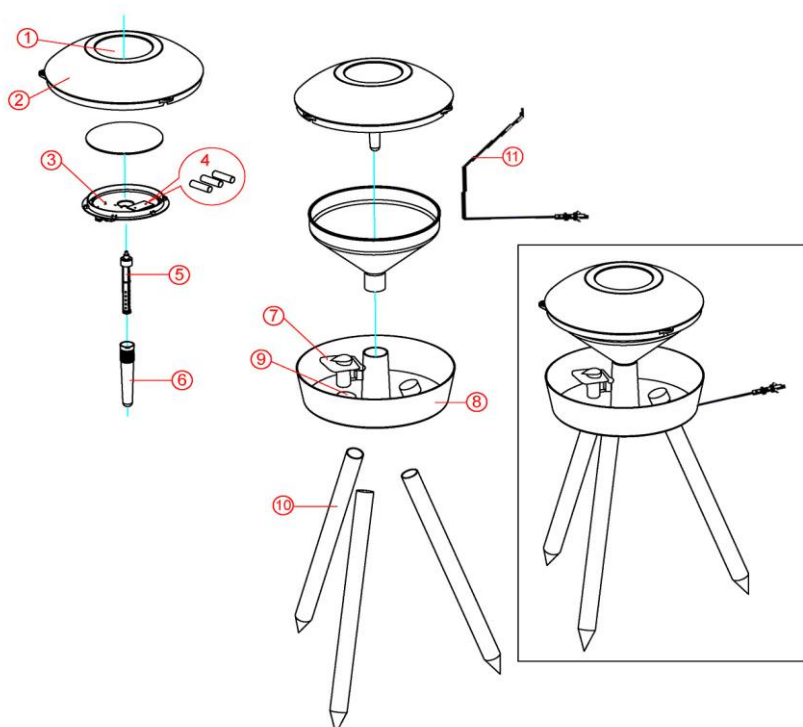


## ***Product Features***

1. UFO LED Bug Catcher is a very important Environmental Protection Product in 21<sup>st</sup> Century.
2. This product is designed to repel moths, mosquitoes, and other kinds of flying bugs and can be charged by Solar Power to save money and energy.
3. About the function of built-in sensor, the Super Bright LED will be lighted up automatically during the night. The device can either catch or repel the flying bugs by different colors of tubes.
  - a. The blue light from the Blue Tube can attract the flying bugs to hit the Lamp.
  - b. The orange light from the Orange Tube can repel mosquitoes.
  - c. The white light from the Clear Tube can catch moths and little flying bugs.
4. The users only need to pour some water into the Water Container before each usage. The moths, mosquitoes, and other kinds of flying bugs usually come out at night. During the sunset, the LED will be lighted up automatically and attract those fly bugs to hit the device. After they hit the 45-degree angle of Lamp, they will fall down into the water and be eliminated in the Water Container.
5. This product is charged by Solar Power, so there will be no extra utility bill. Moreover, none of chemical insecticides or regular high Voltage of electrical pest-killers are needed. Water is the only consumable, and either the life span of the Solar Panel or LED light is longer than 5 years.

## ***Illustration***

- |                               |                               |
|-------------------------------|-------------------------------|
| 1. Solar Panel                | 6. Color Tube (Blue / Orange) |
| 2. Top Lamp Cover             | 7. Hormone Bait Holder        |
| 3. ON / OFF Switch            | 8. Water Container            |
| 4. Ni-MH Rechargeable Battery | 9. Stopples                   |
| 5. LED Light                  | 10. Foot Stand x 3            |
|                               | 11. Power Cord                |



### ***Installation***

1. Please follow instructions above for your operation reference.
2. Install three Ni-MH Rechargeable Batteries (be careful with Positive and Negative) into the Battery Compartment (See Illus. 4).
3. Turn the switch ON (See Illus. 3).
4. Install the Stopple and pour some water into the Water Container. (Do not over pour)
6. Place the device where the sunlight can be illuminated.

### ***Charging Caution***

1. This product is charged by Solar Power. If the device had enough sunlight and charged for 8 hours during the day, it could be used for 8 to 10 hours during summer and 6 to 8 hours during winter.
2. When the device cannot be charged by solar power during a cloudy day, the users can take rechargeable batteries out and recharge them by a regular AA battery charger.
3. These three Ni-MH Rechargeable Batteries normally can be used and charged for 300 to 500 times. When the batteries are getting older and older, the illuminated period will be shorter and shorter. If the illuminated period is less than 3 hours after full charge, please replace them by new AA rechargeable batteries (2000mA or higher).

### ***Efficacy***

1. This product is doing a great job to repel the flying bugs, and the farmers in Japan have tested it. Please kindly see the following pictures.
2. To add the special hormones (can be bought from a farm shop) into the Bait Holder can improve the function (See Illus. 7).
3. During mountain climbing or camping, the orange light does not only illuminate well, but also repels the mosquitoes.



### ***Specifications***

1. Size: 32.28 (H) x 13.78 (Dia) inches. (82 x 35 cm)
2. Weight: Approx. 4.25lb (1930g)
3. Power Supply: 2W / 5V, 400mA
4. Material: ABS
5. Battery: AA size Ni-MH Rechargeable Battery x 3